

# Patented O&O mdc Preloaded Hydrophobic IOL System



Available for IOL Production



# O&O mdc Hydrophobic Preloaded IOL System

## **Based on existing O&O mdc EasyShooter IOL Injector:**

- ✚ Using the patented MonoGlide solid cartridge/canula;
- ✚ Adding a removable Lens-Rolling-System (LRS);
- ✚ Utilising O&O's well-established gliding coat on both the LRS and the MonoGlide.

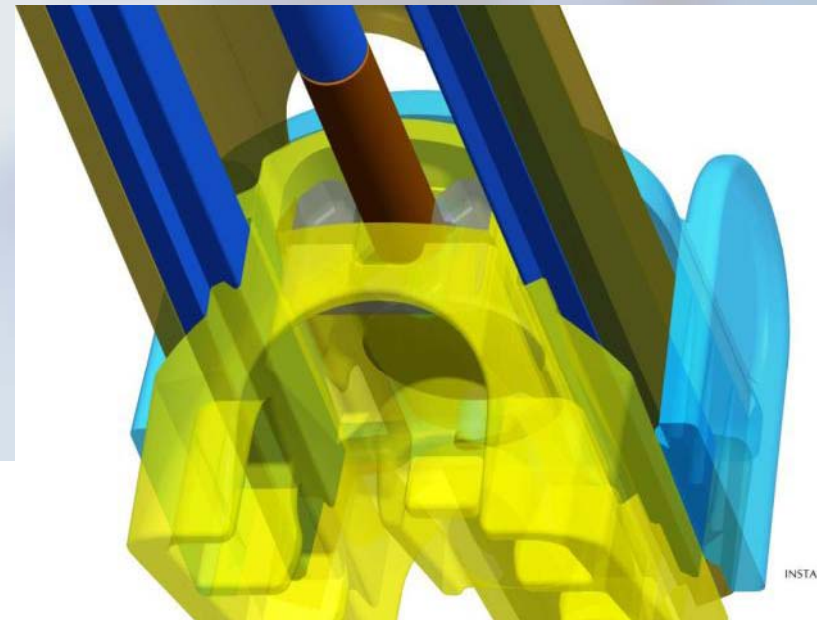
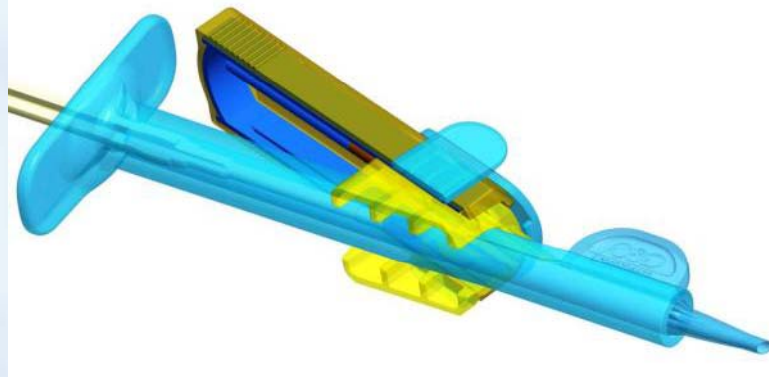
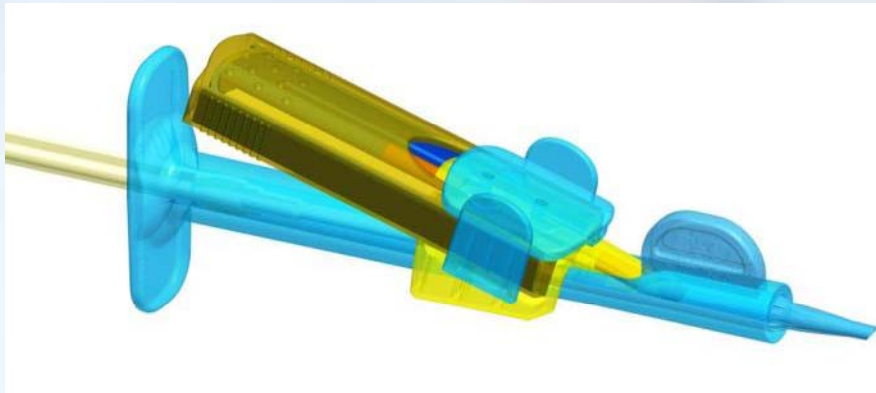




# O&O mdc Hydrophobic Preloaded IOL System

**Based on existing O&O mdc EasyShooter IOL Injector:**

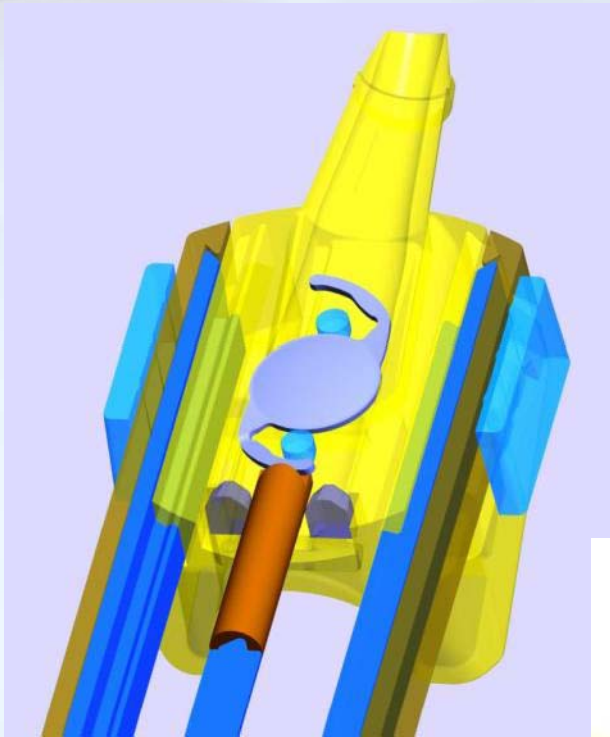
- ✚ Lens-Rolling-System (LRS) clipped onto the EasyShooter body:
  - From top, bottom and below





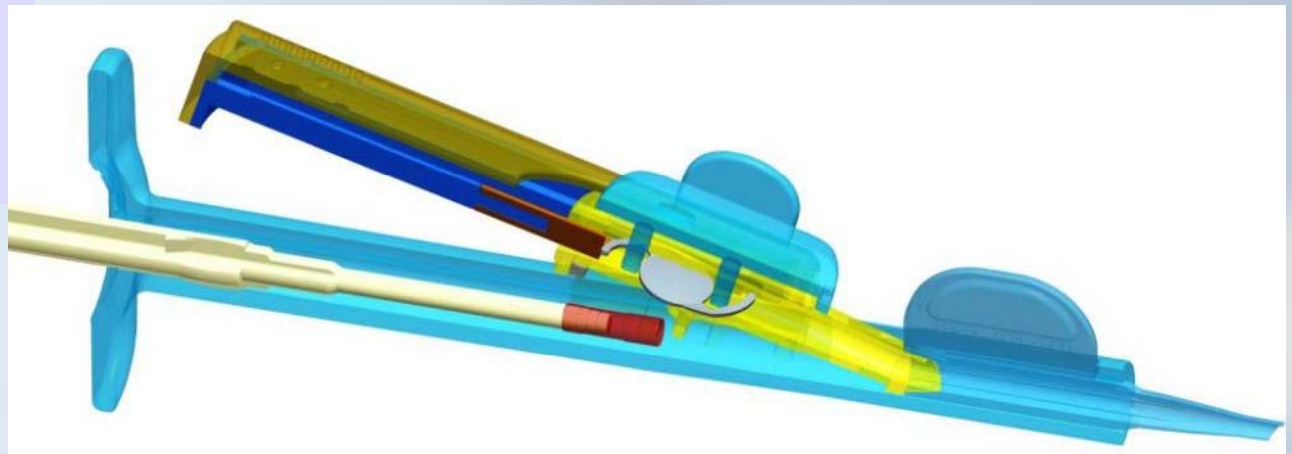
# O&O mdc

## Hydrophobic Preloaded IOL System



### Lens-Rolling-System (LRS):

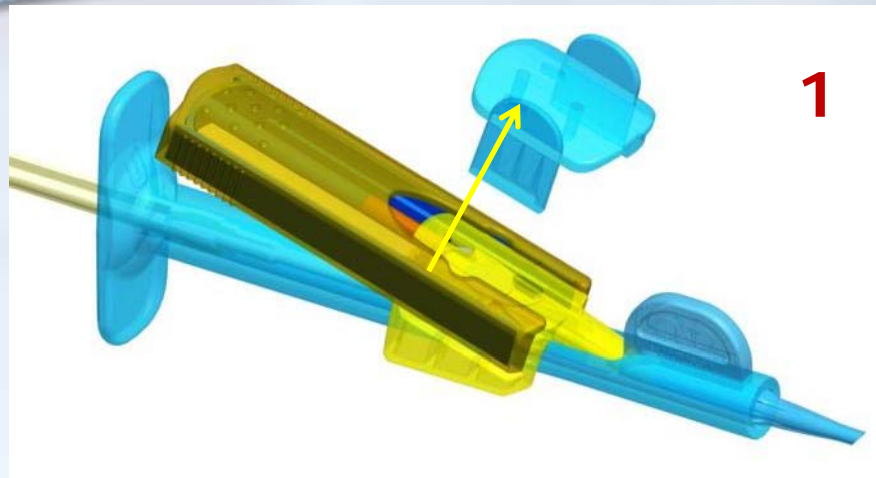
✚ Cross section from above and side:





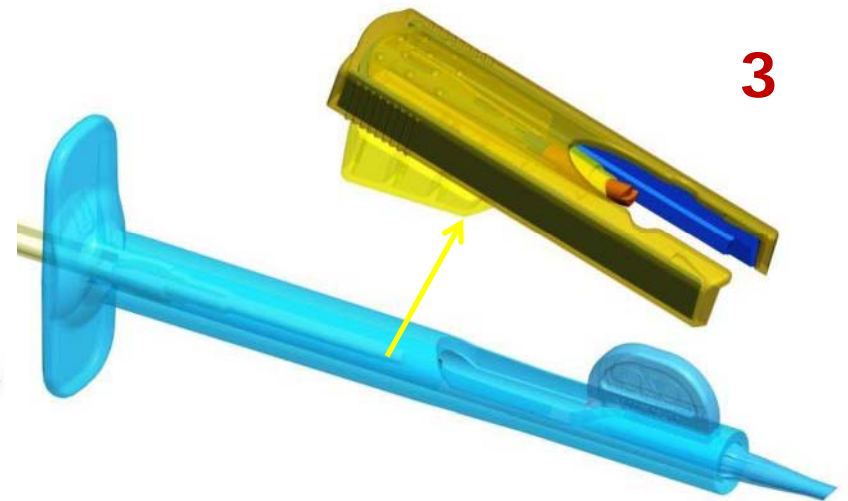
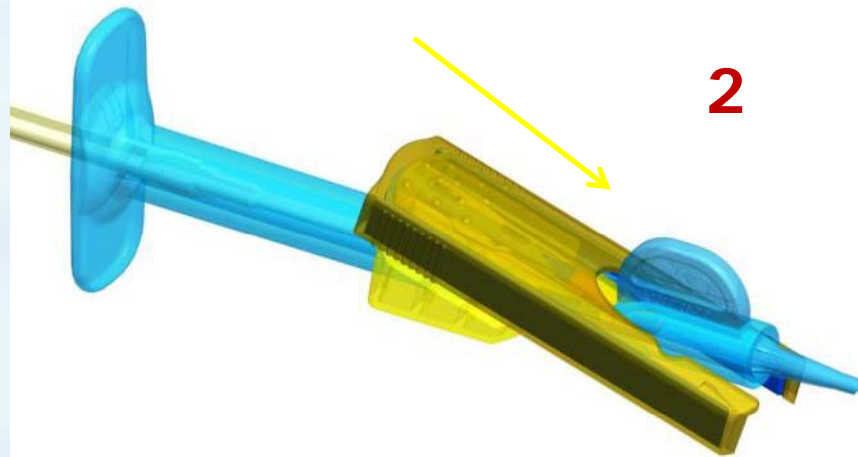
# O&O mdc


## Hydrophobic Preloaded IOL System



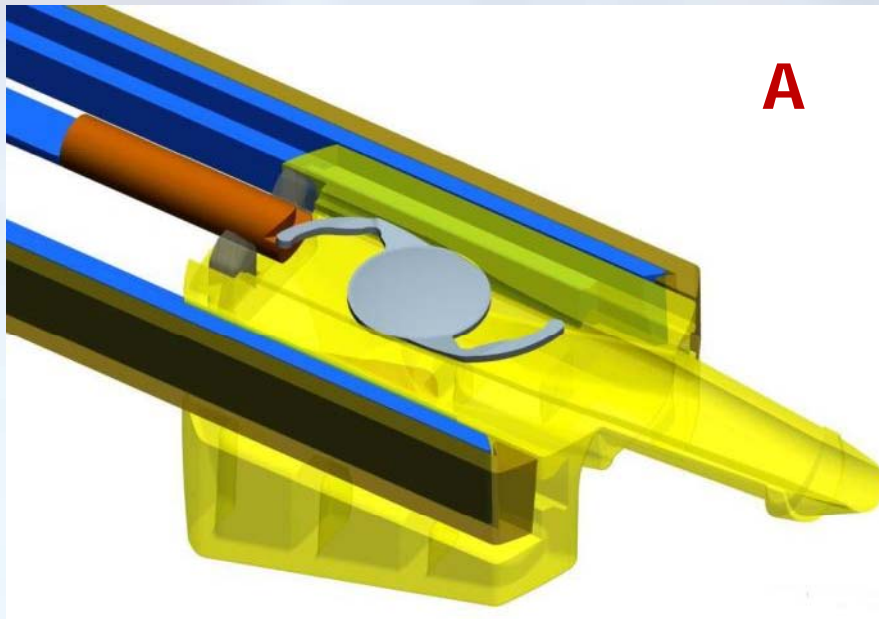
### How it works: 1 – 2 – 3...

- ✦ **1-** Remove the cap and inject viscoelastic solution through the 2 open oblong holes;
- ✦ **2-** Move the glider downwards;
- ✦ **3-** Remove the LRS from the injector body and use the EasyShooter as a normal and **lightweight Delivery System**.



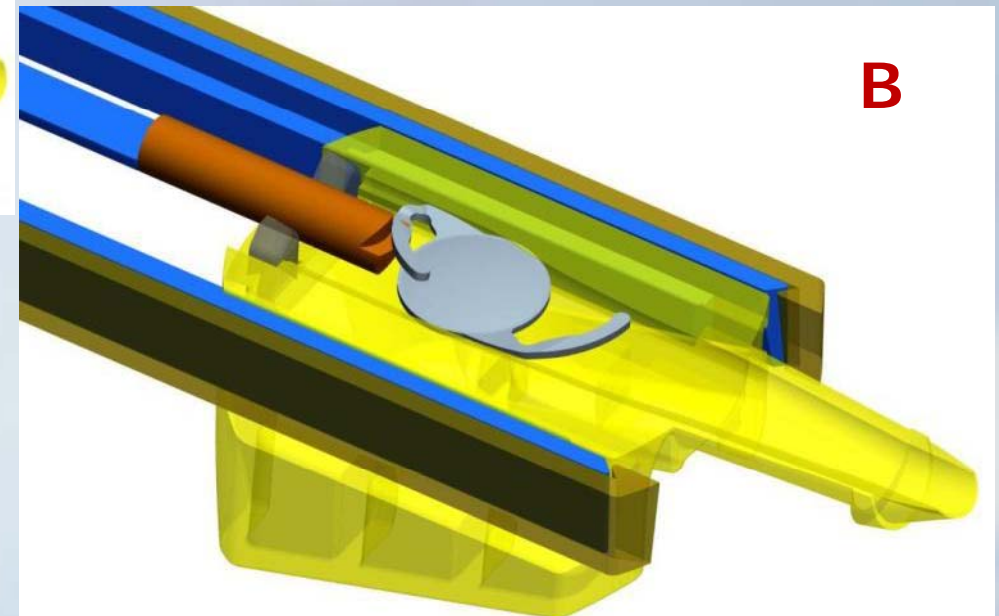


# O&O mdc Hydrophobic Preloaded IOL System



## Trailing haptic folding system:

- ✚ **A-** Lens position for packing;
- ✚ **B-** How haptic is folded onto the lens optical area;
- ✚ Lens is then ready to be pushed through the LRS to the MonoGlide cartridge





Thank you for your interest...